

INSTALLATIONS GUIDELINES for DECORIGID (SPC Click)

1. INTRODUCTION

Floorcoverings designed and produced by LG HAUSYS (LGH), as DECORIGID collection, are interior floorcovering products for a floating application on existing subfloors compliant with the regional rules.

2. PRIOR TO INSTALLATION

Storage

DECORIGID must be stored on a flat surface in a dry and ventilated area. Do not store floorcovering in very cold (less than 0°C) or very warm (more than 35°C) or humid area.¹

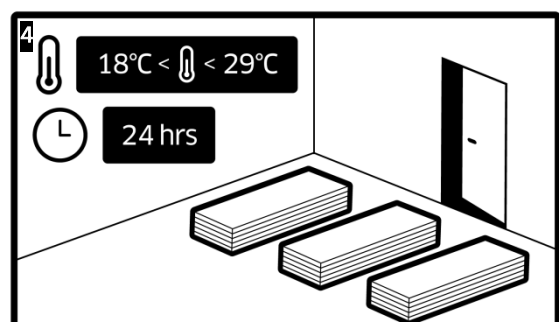
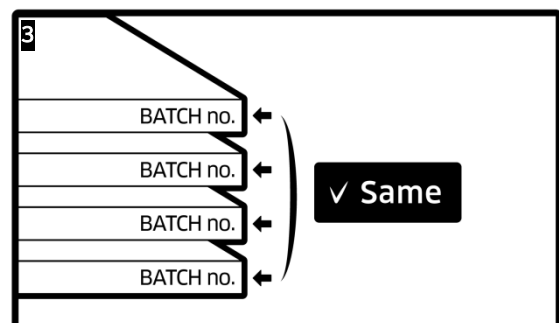
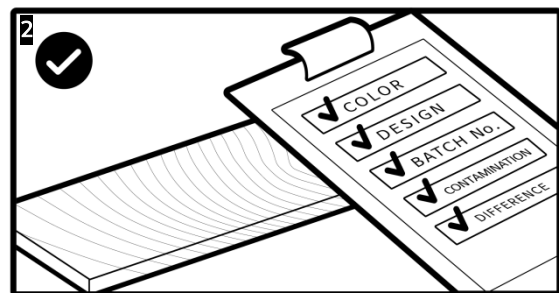
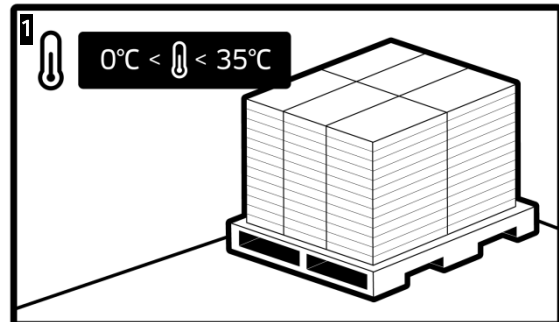
Inspection:

Despite the care and rigor during production, a visual inspection of the materials before installation is recommended, such as, batch number, reference, colour, design, and for differences or defects, to prevent from installation of false materials.² In case any visual faults are detected on materials, do not install the faulty products and contact your local dealer, to obtain information about the way of proceeding.

LGH recommend to install products in with the same batch/lot number only in the same area.³

Acclimation:

No acclimation is required for DECORIGID. However, LGH still recommends to leave the materials at the installation site at least for one day at room temperature (18°C~29°C) to obtain perfection in installation.⁴



3. SUITABLE SUBFLOORS

For DECORIGID, no additional underlayment is required because underlay foam is attached as an option. In case of selecting the product without underlay foam, separate underlayment is needed.

Also, DECORIGID is designed and produced for floating installation on existing subfloors with high tolerance variations, to reduce subfloors preparation operations.

The table on the right gives an acceptance of the maximum subfloor's imperfections allowed for DECORIGID installation.

If your subfloor information is not available, please contact your local dealer or LGH Technical Department.

SUBFLOOR	INSTALLATION AUTHORIZED
Concrete or cementitious screed	YES- maximum unevenness variation 5mm on 2 linear meters
Anhydrite screed	YES- maximum unevenness variation 5mm on 2 linear meters
Ceramics tiles, stone, marble	YES – Maximum size on joints: 8mm width / 3 mm deep / 2mm high difference between tiles
Compact floorcovering (heterogeneous, homogeneous, linoleum)	YES – If less than 10% of the surface is damaged. Localised subfloor repair needs to be planed for damaged area.
Floor painting or resin	YES – If less than 10% of the surface is damaged. Localised subfloor repair needs to be planed for damaged area.
Floating laminate or LVT	NO – Uplift existing floors before installation
Textiles floors (carpet tiles, needlefelt...)	NO – Uplift existing floors before installation
Outside	NO -INSTALLATION PROHIBITED

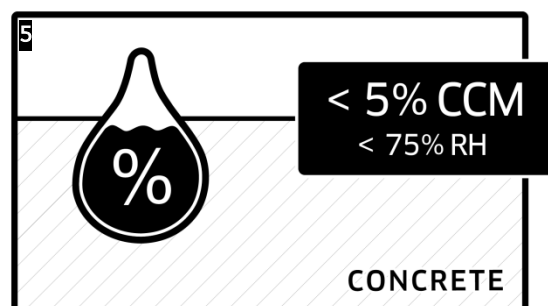
4. MOISTURE CONTENT IN SUBFLOORS

DECORIGID is a moisture resistant product and LGH recommends to respect and conduct best practices with regard to moisture before installation, to avoid moss and bacteria growth under the floorcovering:

The installation site needs to be cured sufficiently by operating a heater before installation.

Then humidity needs to be checked at five random spots, and the average value should be less than 5% CCM (and less than 75% RH).⁵

Regional requirements could be different, so please check the local or national requirements before installation.



5. OVERALL LAYOUT FOR INSTALLATION

Perimeter Dilatation Gap

DECORIGID is dimensionally stable in cold or hot conditions compared to other PVC based products. However, perimeter dilatation gap still needs to be obtained.

Check the overall installation site and the walls, and make sure to leave 4~5mm gap along all sides of the entire wall.⁶

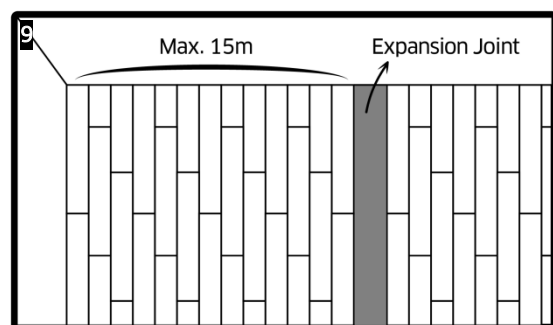
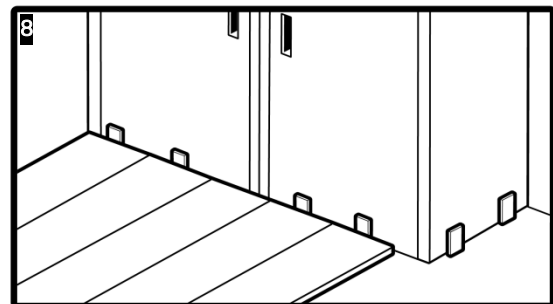
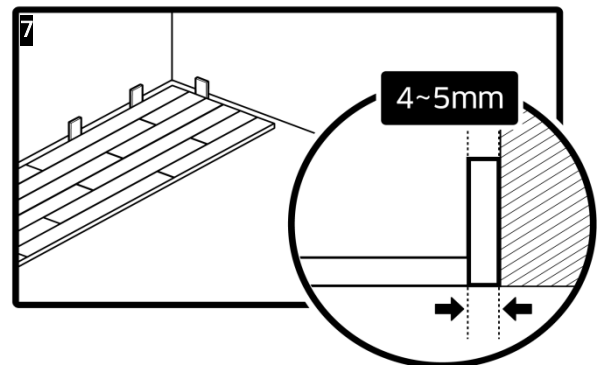
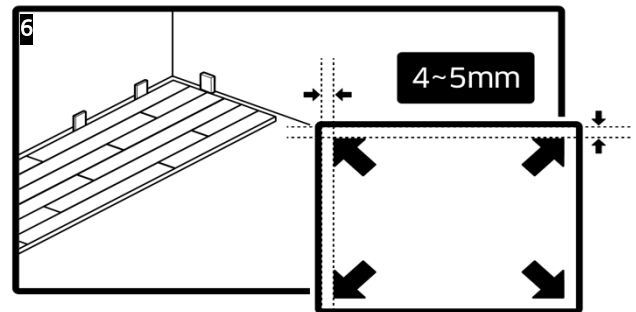
In order to get the desired amount of gap, proper spacers should be utilized.⁷

This perimeter dilatation gap should be obtained for any types of blocking points or fixtures, such as pipe, column, door frame, fixed furnitures, and etc.⁸

Expansion Joints

For DECORIGID, Maximum installation site area should be 200sqm.

Also, if any side of installation site is longer than 15m, then expansion joints are required.⁹



6. INSTALLATION

Note: DECORIGID is designed for floating installation, which should not be fixed on the floor, to the wall or other blocking points.

Installation of fixed furniture (example :fixed Furniture elements for Kitchen or dressing area) must be installed before the floor.

LGH cannot be responsible for any failure on the floorcovering if these minimum requirements are not followed during installation.

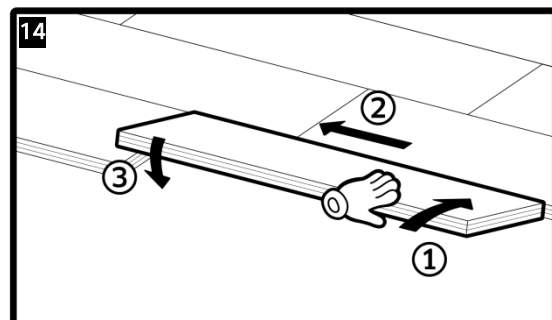
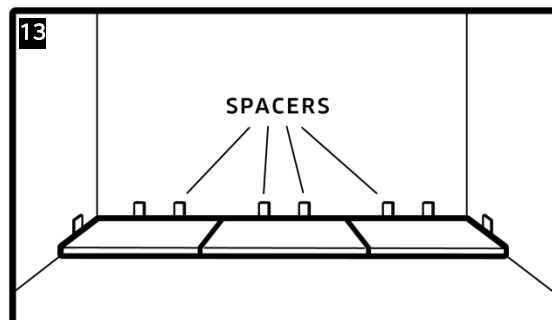
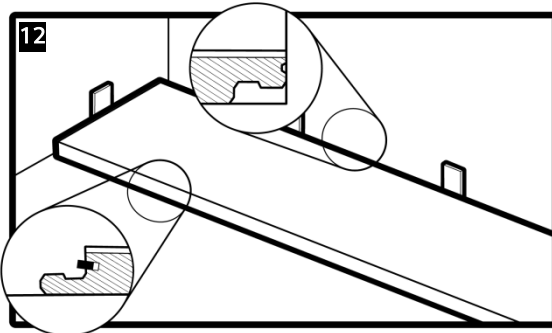
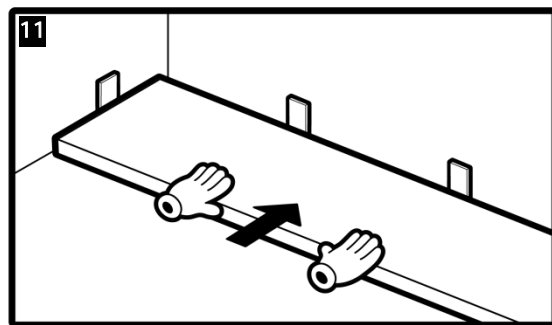
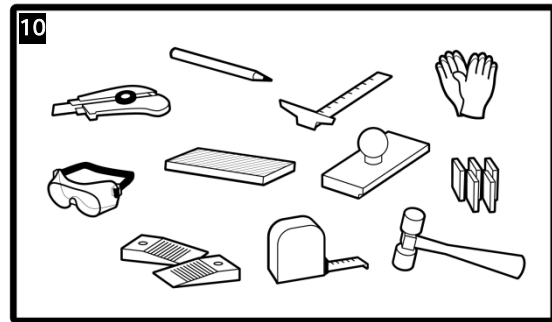
Also, note to prepare appropriate tools for proper installation.¹⁰

Prior to beginning installation, it is important to measure the area so that, at least 1/3 of the product width is available for the last row, and at least 20cm is available for the last piece in column.

Begin installing from the left to right of the starting wall.¹¹ The tongue (or Tenon) of the product needs to face toward the wall and the groove then will be facing toward the next row or column.¹² During this process make sure that the perimeter dilatation gap is all aligned (use spacers to always have the same gap).¹³

From the second row of plank or tile, first insert the tongue (or Tenon) of the long side of a plank or tile into the groove in the first row with a 25° angle to close the angle part of the system, and the plank or tile will be locked when the position will goes down.

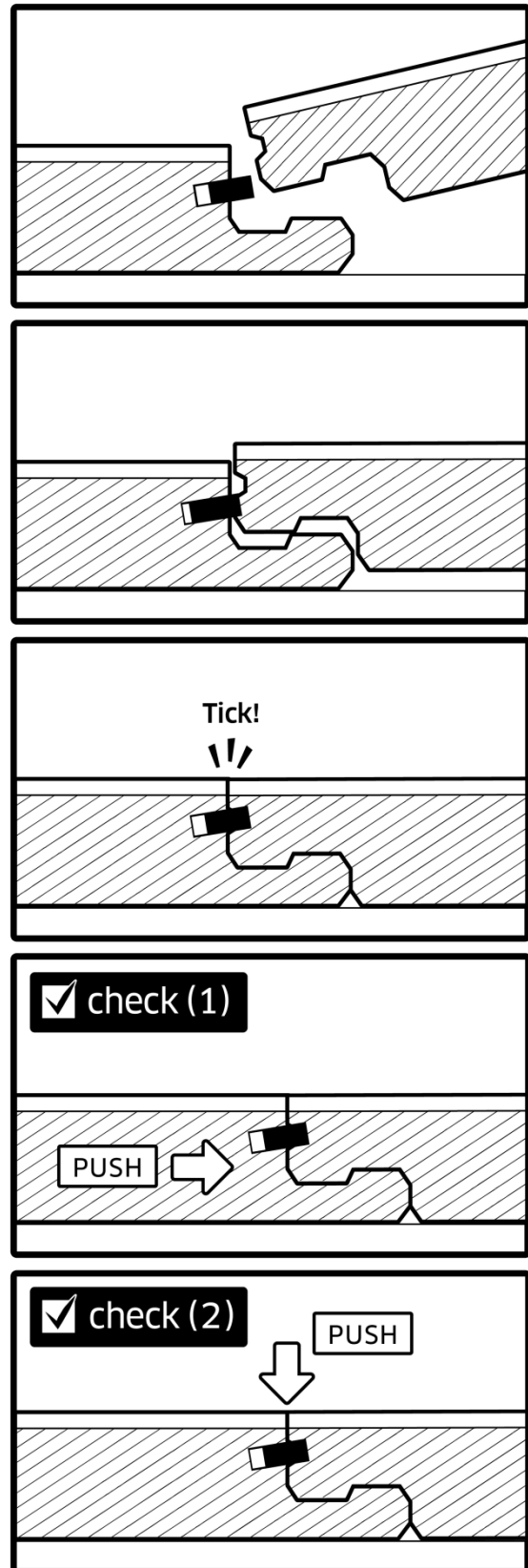
Then slide the position of the plank or tile toward left and hen press down to close the short side.¹⁴



For shorter sides, there are 2 different locking systems: 5G & 2G.

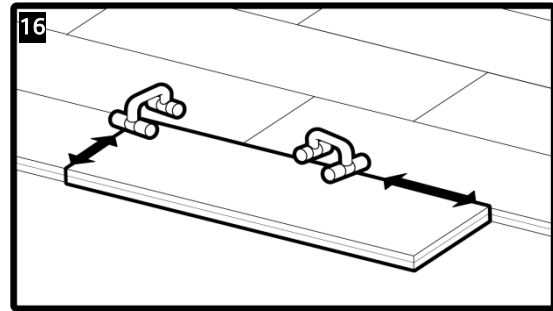
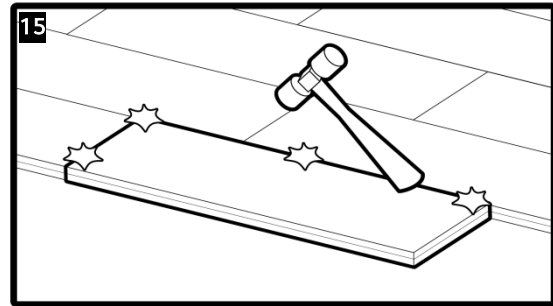
In case of 5G click system—also called an angle / drop down system-- In case of 5G, short sides can be installed by hand pressure.

The drawings of how the 5G click system works are shown on the right:



Then use rubber mallet to complete the clicking of products.¹⁵

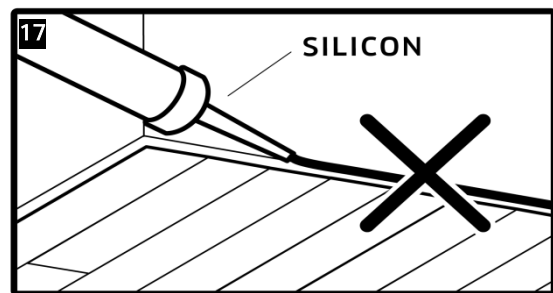
Finally, by using a roller, press the joints of the products to make the linkage more firm.¹⁶



7. ACCESSORIES AND FINISHING

Once the floor covering installation is completed, remove the spacers and install fixing skirts along the wall to cover up the gap.

Do not use mastic, silicon, or acrylic filler to fill up the gap between wall and the products.¹⁷



For information on these accessories please contact your local dealer or LGH technical department.

8. FIRST CLEANING AND OPENING TO TRAFFIC

Prior to open the area to the normal traffic, LGH recommends to clean the surface using vacuum cleaner and damp mop with neutral detergent solution.¹⁸

To keep DECORIGID in perfect condition, LGH recommends regular cleaning and maintenance with the right cleaning process.

During furniture installation or movements, LGH recommend to protect the floorcovering and equipped the furniture legs with adapted pad.

The product needs to be protected for long time exposure of direct sunlight. Windows and Glass doors need to be covered properly to protect the nearby floorcoverings.¹⁹

If the products are installed in front of exterior access doors or windows, an entrance mat needs to be utilized.

For additional information or advices about cleaning and protection, please refer to LGH cleaning guidelines.

